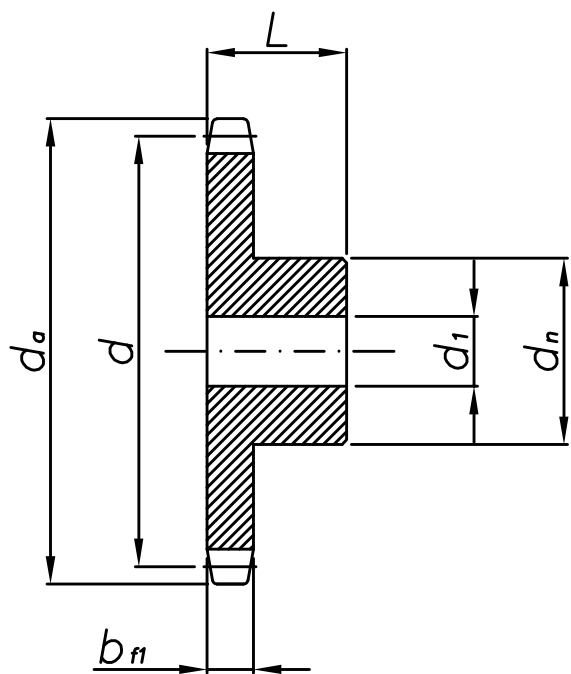
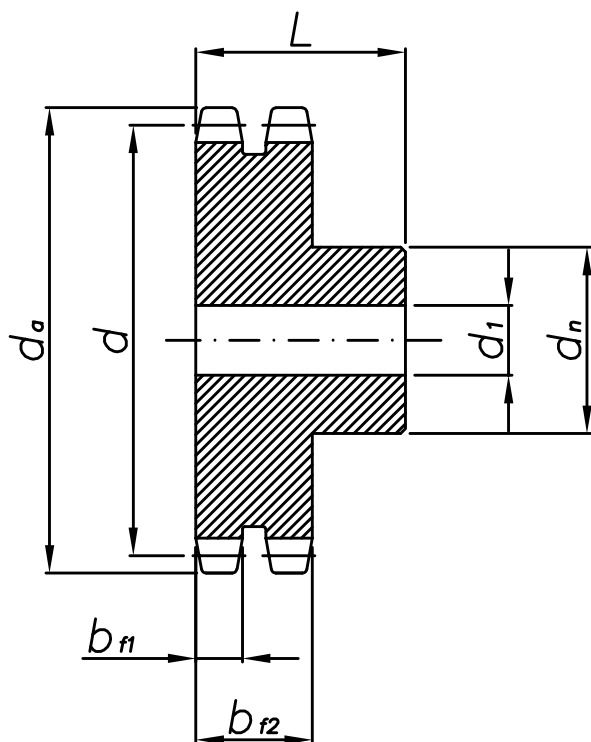


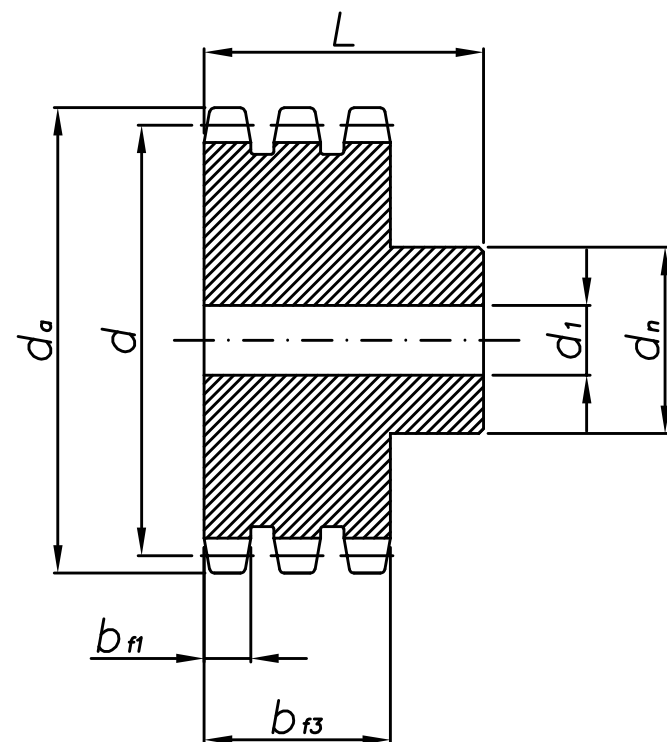
KOŁA ŁAŃCUCHOWE Z PIASTĄ – 12B
SPROCKETS – 12B



SS



SD



ST

Koła łańcuchowe z piastą - 12B

Sprockets - 12B

| | | | |
|------------------------------------|----------------------------|----------------------------|----------------------------|
| Szerokość zęba/ <i>tooth width</i> | $b_{f1} = 11,1 \text{ mm}$ | $b_{f2} = 30,3 \text{ mm}$ | $b_{f3} = 49,8 \text{ mm}$ |
|------------------------------------|----------------------------|----------------------------|----------------------------|

| z | d | d _a | SS | | | SD | | | ST | | |
|----|--------|----------------|----------------|----------------|----|----------------|----------------|----|----------------|----------------|----|
| | | | d ₁ | d _n | L | d ₁ | d _n | L | d ₁ | d _n | L |
| 8 | 49,78 | 57,6 | 12 | 31 | 30 | 12 | 31 | 45 | 16 | 31 | 65 |
| 9 | 55,70 | 62,0 | 12 | 37 | 30 | 12 | 37 | 45 | 16 | 37 | 65 |
| 10 | 61,64 | 69,0 | 12 | 42 | 30 | 12 | 42 | 45 | 16 | 42 | 65 |
| 11 | 67,61 | 75,0 | 14 | 46 | 35 | 16 | 47 | 50 | 20 | 47 | 70 |
| 12 | 73,60 | 81,5 | 14 | 52 | 35 | 16 | 53 | 50 | 20 | 53 | 70 |
| 13 | 79,59 | 87,5 | 14 | 58 | 35 | 16 | 59 | 50 | 20 | 59 | 70 |
| 14 | 85,61 | 93,6 | 14 | 64 | 35 | 16 | 65 | 50 | 20 | 65 | 70 |
| 15 | 91,63 | 99,8 | 14 | 70 | 35 | 16 | 71 | 50 | 20 | 71 | 70 |
| 16 | 97,65 | 105,5 | 16 | 75 | 35 | 20 | 77 | 50 | 20 | 77 | 70 |
| 17 | 103,67 | 111,5 | 16 | 80 | 35 | 20 | 83 | 50 | 20 | 83 | 70 |
| 18 | 109,71 | 118,0 | 16 | 80 | 35 | 20 | 89 | 50 | 20 | 89 | 70 |
| 19 | 115,75 | 124,2 | 16 | 80 | 35 | 20 | 95 | 50 | 20 | 95 | 70 |
| 20 | 121,78 | 129,7 | 16 | 80 | 35 | 20 | 100 | 50 | 20 | 100 | 70 |
| 21 | 127,82 | 136,0 | 20 | 69 | 40 | 20 | 100 | 50 | 20 | 100 | 70 |
| 22 | 133,86 | 141,8 | 20 | 69 | 40 | 20 | 100 | 50 | 20 | 100 | 70 |
| 23 | 139,90 | 149,0 | 20 | 90 | 40 | 20 | 110 | 50 | 20 | 110 | 70 |
| 24 | 145,94 | 153,9 | 20 | 90 | 40 | 20 | 110 | 50 | 20 | 110 | 70 |
| 25 | 152,00 | 160,0 | 20 | 90 | 40 | 20 | 120 | 50 | 20 | 120 | 70 |
| 26 | 158,04 | 165,9 | 20 | 95 | 40 | 20 | 120 | 50 | 20 | 120 | 70 |
| 27 | 164,09 | 172,3 | 20 | 95 | 40 | 20 | 120 | 50 | 20 | 120 | 70 |
| 28 | 170,13 | 178,0 | 20 | 95 | 40 | 20 | 120 | 50 | 20 | 120 | 70 |
| 29 | 176,19 | 184,1 | 20 | 95 | 40 | 20 | 120 | 50 | 20 | 120 | 70 |
| 30 | 182,25 | 190,5 | 20 | 95 | 40 | 20 | 120 | 50 | 20 | 120 | 70 |
| 31 | 188,31 | 196,3 | 20 | 100 | 40 | 20 | 120* | 50 | 25 | 130* | 70 |
| 32 | 194,35 | 203,3 | 20 | 100 | 40 | 20 | 120* | 50 | 25 | 130* | 70 |
| 33 | 200,40 | 209,3 | 20 | 100 | 40 | 20 | 120* | 50 | 25 | 130* | 70 |
| 34 | 206,46 | 214,6 | 20 | 100 | 40 | 20 | 120* | 50 | 25 | 130* | 70 |
| 35 | 212,52 | 221,0 | 20 | 100 | 40 | 20 | 120* | 50 | 25 | 130* | 70 |
| 36 | 218,58 | 226,8 | 25 | 100 | 40 | 25 | 120* | 50 | 25 | 130* | 70 |
| 37 | 224,64 | 232,9 | 25 | 100 | 40 | 25 | 120* | 50 | 25 | 130* | 70 |
| 38 | 230,69 | 239,0 | 25 | 100 | 40 | 25 | 120* | 50 | 25 | 130* | 70 |
| 39 | 236,75 | 245,1 | 25 | 100 | 40 | 25 | 120* | 50 | 25 | 130* | 70 |
| 40 | 242,81 | 261,3 | 25 | 100 | 40 | 25 | 120* | 50 | 25 | 130* | 70 |

*- średnica piasty d_n może ulec zmianie

*- hub diameter d_n is subject to change